



دخيل الجسار
Dakheel Aljassar

dajco

Switched onto Safety



www.aljassar.com

Contents

Company Profile	01
MCB DB - Surface Type	02 - 03
MCB DB - Flush Type	04 - 05
MSB Switchboard	06 - 07
GI Box	08 - 09
MCB	10 - 12
RCCB	13 - 15
Isolator	16 - 17
MCCB	18 - 19
Customized Products	20
Test Certificates	21



Dakheel Aljassar Electrical Industries, Kuwait is one of the leading manufacturer and supplier of Low Voltage Electrical Panel Boards. The ranges of Panel Boards include all Panels from Substation Switchboard to final MCB Distribution Board. The items are used in Residential Buildings, High Rise Apartments, Office Buildings, and other industrial installation.

Dakheel Aljassar Electrical Industry has been focused on supplying quality product and conducting ethical business. Customers appreciated the products and services provided by Dakheel Aljassar Co. and have the confidence of having genuine products. As an attempt to serve the market in a better way, Dakheel Aljassar Electrical Industry is introducing dajco Circuit Breaker Components. It includes MCBs, RCCBs, Isolators, and MCCBs. Thus the customers are serviced to select the solution, based on their needs from a reliable, trusted source. These products are specially manufactured in leading factories in Europe and tested and certified by independent testing authorities.



Switched onto Safety

Dajco is the high quality brand for low voltage circuit breaker with higher protection & safety features. It has specifications which exceed international standards for safety. Dajco product range are miniature circuit breakers, molded case circuit breakers, residual circuit breakers & isolators. Dajco offer products carry a 5 years Warranty.



Suitable for **dajco** Circuit Breaker

- Higher Protection
- Product Performance
- Product Quality & Reliability
- Aesthetic design





Single Phase - Surface Type

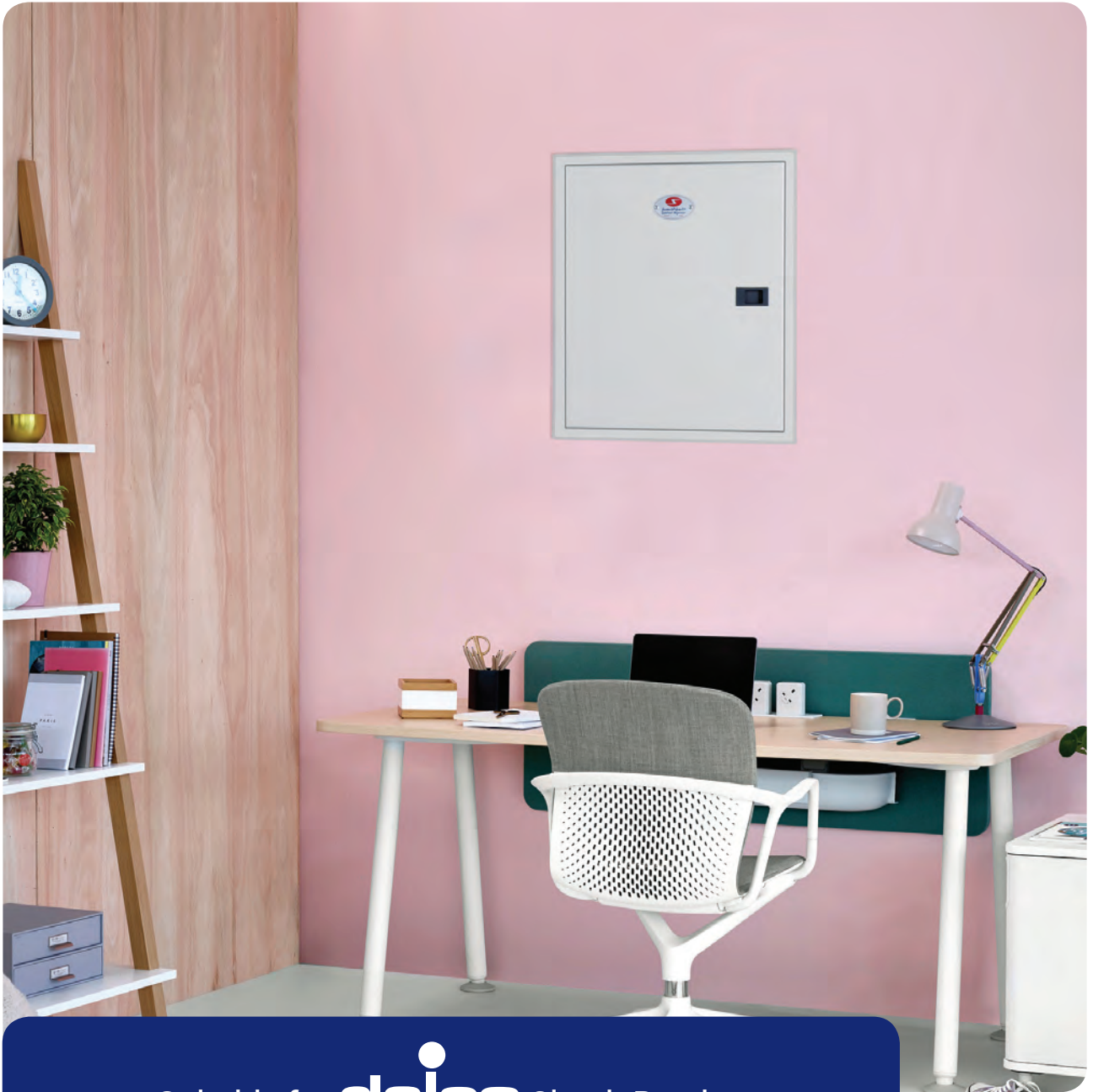
Item Code	Description	Dimension (HxWxD mm)	Dimension Packing (HxWxD mm)	Weight (Kg)
40-504-001	D/B 6 WAYS SPN	250 x 250 x 100	257 x 257 x 105	3.2
40-504-002	D/B 8 WAYS SPN	250 x 250 x 100	257 x 257 x 105	3.2
40-504-003	D/B 10 WAYS SPN	250 x 352 x 100	257 x 359 x 105	4.3
40-504-004	D/B 12 WAYS SPN	250 x 352 x 100	257 x 359 x 105	4.3
40-504-005	D/B 14 WAYS SPN	250 x 454 x 100	257 x 461 x 105	5.4

Three Phase - Surface Type

Item Code	Description	Dimension (HxWxD mm)	Dimension Packing (HxWxD mm)	Weight (Kg)
40-504-006	D/B 4 WAYS TPN	436 x 400 x 120	447 X 411 X 130	9.4
40-504-007	D/B 6 WAYS TPN	513 x 400 x 120	524 X 411 X 130	10.6
40-504-008	D/B 8 WAYS TPN	666 x 400 x 120	677 X 411 X 130	15.2
40-504-009	D/B 10 WAYS TPN	666 x 400 x 120	677 X 411 X 130	15.2
40-504-010	D/B 12 WAYS TPN	818 x 400 x 120	829 X 411 X 130	18.4

Three Phase Double Busbar - Surface Type

Item Code	Description	Dimension (HxWxD mm)	Dimension Packing (HxWxD mm)	Weight (Kg)
40-504-012	D/B 4 WAYS TPN (2 X 2)	513 x 400 x 120	524 X 411 X 130	10.5
40-504-013	D/B 6 WAYS TPN (2 X 4)	666 x 400 x 120	677 X 411 X 130	13.0
40-504-014	D/B 8 WAYS TPN (2 X 6)	666 x 400 x 120	677 X 411 X 130	13.1
40-504-015	D/B 8 WAYS TPN (4 X 4)	666 x 400 x 120	677 X 411 X 130	13.1
40-504-016	D/B 10 WAYS TPN (2 X 8)	818 x 400 x 120	829 X 411 X 130	15.7
40-504-017	D/B 10 WAYS TPN (4 X 6)	818 x 400 x 120	829 X 411 X 130	16.1
40-504-018	D/B 12 WAYS TPN (4 X 8)	818 x 400 x 120	829 X 411 X 130	15.7
40-504-019	D/B 12 WAYS TPN (6 X 6)	818 x 400 x 120	829 X 411 X 130	15.7
40-504-020	D/B 12 WAYS TPN (2 X 10)	818 x 400 x 120	829 X 411 X 130	15.7
40-504-021	D/B 14 WAYS TPN (2 X 12)	818 x 400 x 120	829 X 411 X 130	15.8
40-504-022	D/B 14 WAYS TPN (4 X 10)	818 x 400 x 120	829 X 411 X 130	15.8
40-504-023	D/B 14 WAYS TPN (6 X 8)	818 x 400 x 120	829 X 411 X 130	15.8



Suitable for **dajco** Circuit Breaker

- Higher Protection
- Product Performance
- Product Quality & Reliability
- Aesthetic design





SPN - Flush Type

Item Code	Description	Dimension (HxWxD mm)	Dimension Packing (HxWxD mm)
40-504-051	D/B 6 WAYS SPN	250 x 350 x 105	270 x 370 x 115
40-504-052	D/B 8 WAYS SPN	250 x 350 x 105	270 x 370 x 115
40-504-053	D/B 10 WAYS SPN	250 x 350 x 105	270 x 370 x 115
40-504-054	D/B 12 WAYS SPN	250 x 425 x 105	270 x 445 x 115
40-504-055	D/B 14 WAYS SPN	250 x 425 x 105	270 x 445 x 115

TPN - Flush Type

Item Code	Description	Dimension (HxWxD mm)	Dimension Packing (HxWxD mm)
40-504-056	D/B 4 WAYS TPN	436x 400 x 120	456 X 420 X 130
40-504-057	D/B 6 WAYS TPN	513 x 400 x 120	536 X 420 X 130
40-504-058	D/B 8 WAYS TPN	589 x 400 x 120	609 X 420 X 130
40-504-059	D/B 10 WAYS TPN	589 x 400 x 120	609 X 420 X 130
40-504-060	D/B 12 WAYS TPN	666 x 400 x 120	686 X 420 X 130

TPN Double Busbar - Flush Type

Item Code	Description	Dimension (HxWxD mm)	Dimension Packing (HxWxD mm)
40-504-062	D/B 4 WAYS TPN (2 X 2)	589 x 400 x 120	609 X 420 X 130
40-504-063	D/B 6 WAYS TPN (2 X 4)	666 x 400 x 120	686 X 420 X 130
40-504-064	D/B 8 WAYS TPN (2 X 6)	742 x 400 x 120	762 X 420 X 130
40-504-065	D/B 8 WAYS TPN (4 X 4)	742 x 400 x 120	762 X 420 X 130
40-504-066	D/B 10 WAYS TPN (2 X 8)	819 x 400 x 120	839 X 420 X 130
40-504-067	D/B 10 WAYS TPN (4 X 6)	819 x 400 x 120	839 X 420 X 130
40-504-068	D/B 12 WAYS TPN (4 X 8)	819 x 400 x 120	839 X 420 X 130
40-504-069	D/B 12 WAYS TPN (6 X 6)	819 x 400 x 120	839 X 420 X 130
40-504-070	D/B 12 WAYS TPN (2 X 10)	819 x 400 x 120	839 X 420 X 130
40-504-071	D/B 14 WAYS TPN (2 X 12)	895 x 400 x 120	915 X 420 X 130
40-504-072	D/B 14 WAYS TPN (4 X 10)	895 x 400 x 120	915 X 420 X 130
40-504-073	D/B 14 WAYS TPN (6 X 8)	895 x 400 x 120	915 X 420 X 130



Suitable for **dajco** Circuit Breaker

- Higher Protection
- Product Performance
- Product Quality & Reliability





MSB Meters & Lamp

Indoor Floor Mounted

Item Code	Description	Dimension (HxWxD mm)
4S-D08A-00	MSB 8 WAYS TPN	1255 x 700 x 250
4S-D10A-00	MSB 10 WAYS TPN	1255 x 700 x 250
4S-D12A-00	MSB 12 WAYS TPN	1465 x 700 x 250
4S-D14A-00	MSB 14 WAYS TPN	1465 x 700 x 300
4S-D16A-00	MSB 16 WAYS TPN	1675 x 820 x 300
4S-D18A-00	MSB 18 WAYS TPN	1675 x 820 x 300
4S-D20A-00	MSB 20 WAYS TPN	1885 x 820 x 300
4S-D22A-00	MSB 22 WAYS TPN	1885 x 820 x 300
4S-D24A-00	MSB 24 WAYS TPN	2095 x 820 x 300
4S-D26A-00	MSB 26 WAYS TPN	2095 x 820 x 300
4S-D28A-00	MSB 28 WAYS TPN	2095 x 820 x 300

Indoor Floor Mounted with Meters & Lamp

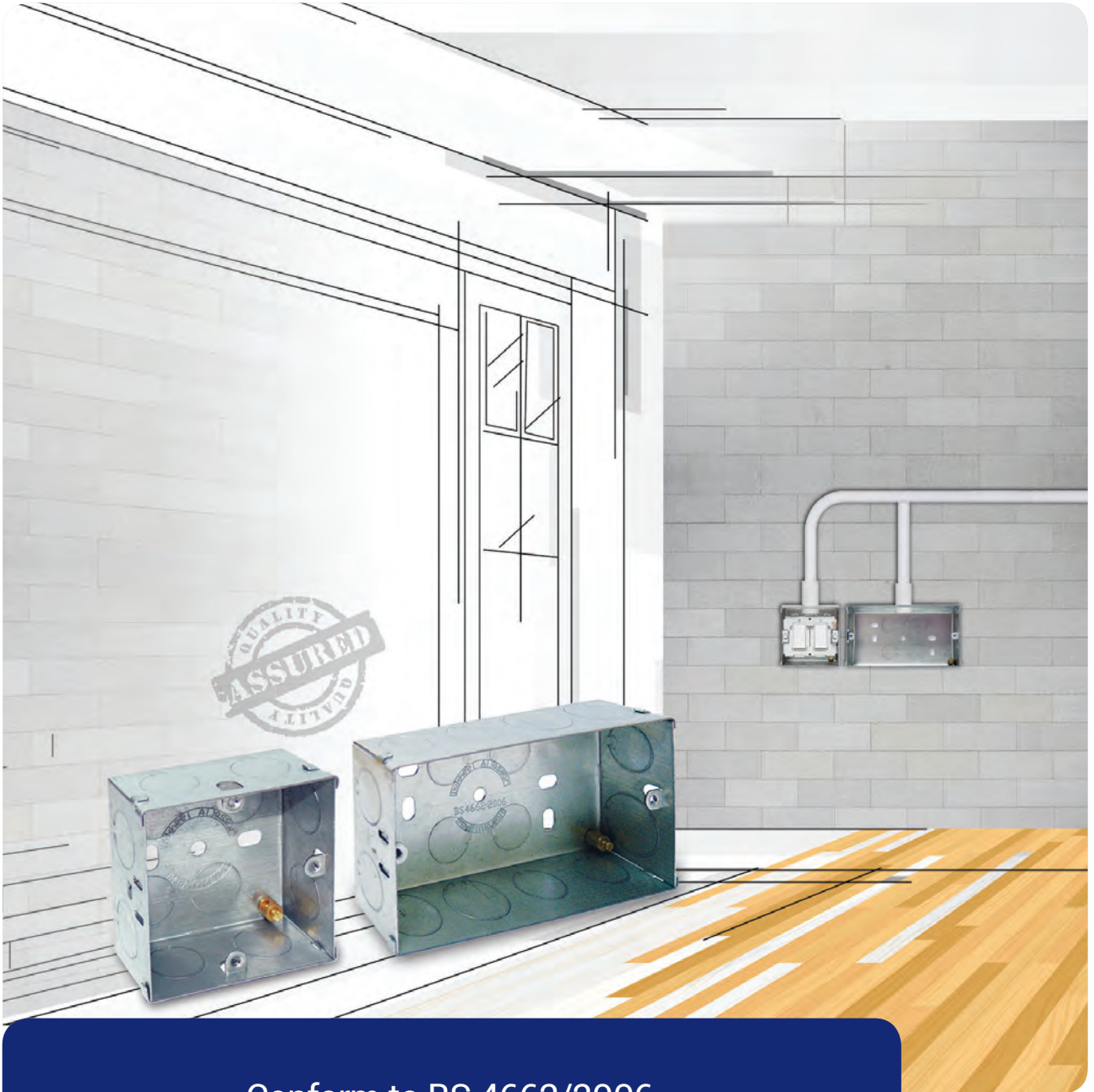
Item Code	Description	Dimension (HxWxD mm)
4S-D08D-00	MSB 8 WAYS TPN	1675 x 820 x 300
4S-D10D-00	MSB 10 WAYS TPN	1675 x 820 x 300
4S-D12D-00	MSB 12 WAYS TPN	1675 x 820 x 300
4S-D14D-00	MSB 14 WAYS TPN	1885 x 820 x 300
4S-D16D-00	MSB 16 WAYS TPN	1885 x 820 x 300
4S-D18D-00	MSB 18 WAYS TPN	1885 x 820 x 300
4S-D20D-00	MSB 20 WAYS TPN	2095 x 820 x 300
4S-D22D-00	MSB 22 WAYS TPN	2095 x 820 x 300
4S-D24D-00	MSB 24 WAYS TPN	2095 x 820 x 300

Outdoor Floor Mounted

Item Code	Description	Dimension (HxWxD mm)
4S-D08C-00	MSB 8 WAYS TPN	1255 x 700 x 250
4S-D10C-00	MSB 10 WAYS TPN	1255 x 700 x 250
4S-D12C-00	MSB 12 WAYS TPN	1465 x 700 x 250
4S-D14C-00	MSB 14 WAYS TPN	1465 x 700 x 300
4S-D16C-00	MSB 16 WAYS TPN	1675 x 820 x 300
4S-D18C-00	MSB 18 WAYS TPN	1675 x 820 x 300
4S-D20C-00	MSB 20 WAYS TPN	1885 x 820 x 300
4S-D22C-00	MSB 22 WAYS TPN	1885 x 820 x 300
4S-D24C-00	MSB 24 WAYS TPN	2095 x 820 x 300

Outdoor Floor Mounted with Meters & Lamp

Item Code	Description	Dimension (HxWxD mm)
4S-D08E-00	MSB 8 WAYS TPN	1675 x 820 x 300
4S-D10E-00	MSB 10 WAYS TPN	1675 x 820 x 300
4S-D12E-00	MSB 12 WAYS TPN	1885 x 820 x 300
4S-D14E-00	MSB 14 WAYS TPN	1885 x 820 x 300
4S-D16E-00	MSB 16 WAYS TPN	2095 x 820 x 300
4S-D18E-00	MSB 18 WAYS TPN	2095 x 820 x 300
4S-D20E-00	MSB 20 WAYS TPN	2095 x 820 x 300

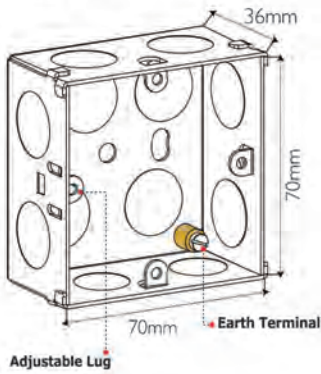


Conform to BS 4662/2006

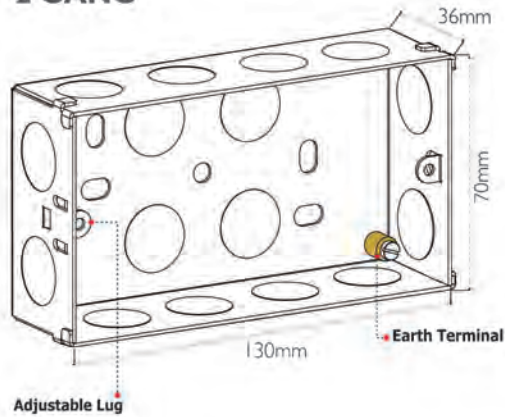
- High Quality Galvanazied Steel
- Available in 0.8mm & 1.1mm thickness
- Earth Terminal & Adjustable Lugs



1 GANG



2 GANG



1 Gang Gi Box

Item Code	Description	Dimension (HxWxD mm)	Dimension Packing (HxWxD mm)	Weight (Kg)
40-347-021	0.8mm w/ET*, 20/20	70 x 70 x 36	190 x 365 x 290 (100pcs)	10.1
40-347-022	0.8mm w/ET*, 20/25	70 x 70 x 36	190 x 365 x 290 (100pcs)	10.1
40-347-023	0.8mm w/o ET*, 20/20	70 x 70 x 36	190 x 365 x 290 (100pcs)	10.1
40-347-024	0.8mm w/o ET*, 20/25	70 x 70 x 36	190 x 365 x 290 (100pcs)	10.1
40-347-031	1.1mm w/ET*, 20/25	70 x 70 x 36	190 x 365 x 290 (100pcs)	13.8

2 Gang Gi Box

Item Code	Description	Dimension (HxWxD mm)	Dimension Packing (HxWxD mm)	Weight (Kg)
40-347-025	0.8mm w/ET*, 20/20	70 x 70 x 36	190 x 365 x 290 (50pcs)	8
40-347-026	0.8mm w/ET*, 20/25	70 x 70 x 36	190 x 365 x 290 (50pcs)	8
40-347-027	0.8mm w/o ET*, 20/20	70 x 70 x 36	190 x 365 x 290 (50pcs)	8
40-347-028	0.8mm w/o ET*, 20/25	70 x 70 x 36	190 x 365 x 290 (50pcs)	8
40-347-032	1.1mm w/ET*, 20/25	70 x 70 x 36	190 x 365 x 290 (50pcs)	10.5

ET* : Earth Terminal

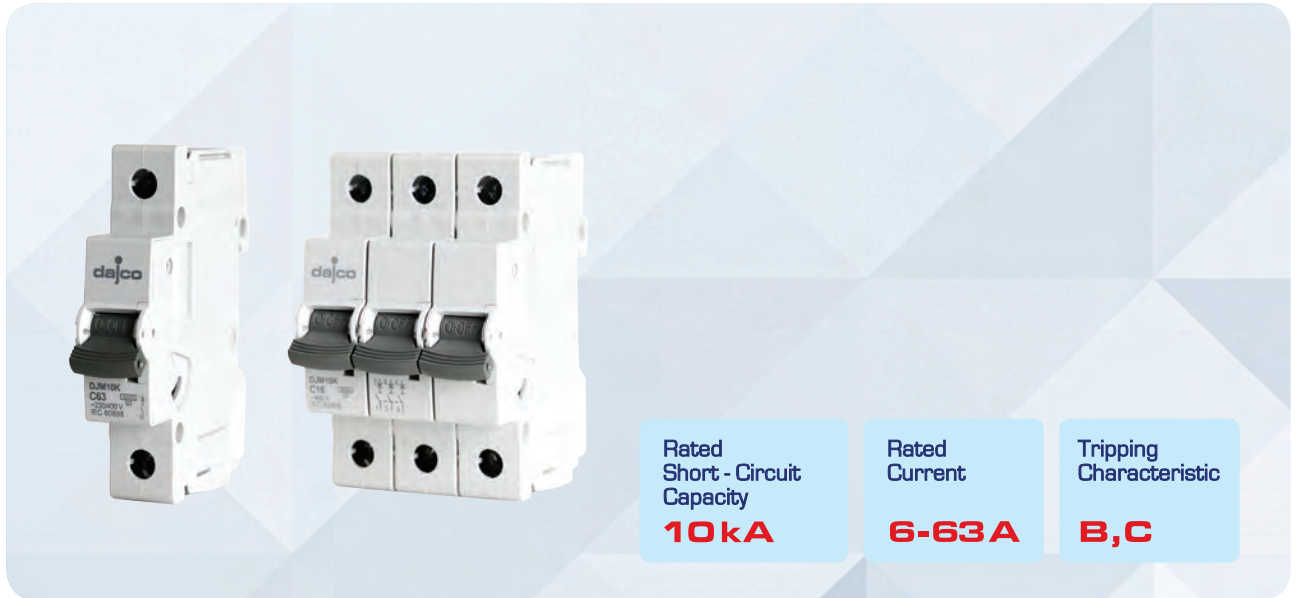


High Breaking Capacity MCB - DJM

- Product Performance
- Product Quality & Reliability
- Power Control

5 YEARS WARRANTY





DJM 10K Series MCB

1 - pole

Rated Current [A]	Rated Voltage [V]	Item Code	Description	Item Code	Description
6	230/400	50-052-001	MCB 1P, 6A, B, 10KA	50-052-201	MCB 1P, 6A, C, 10KA
10	230/400	50-052-002	MCB 1P, 10A, B, 10KA	50-052-202	MCB 1P, 10A, C, 10KA
13	230/400	50-052-003	MCB 1P, 13A, B, 10KA	50-052-203	MCB 1P, 13A, C, 10KA
16	230/400	50-052-004	MCB 1P, 16A, B, 10KA	50-052-204	MCB 1P, 16A, C, 10KA
20	230/400	50-052-005	MCB 1P, 20A, B, 10KA	50-052-205	MCB 1P, 20A, C, 10KA
25	230/400	50-052-006	MCB 1P, 25A, B, 10KA	50-052-206	MCB 1P, 25A, C, 10KA
32	230/400	50-052-007	MCB 1P, 32A, B, 10KA	50-052-207	MCB 1P, 32A, C, 10KA
40	230/400	50-052-008	MCB 1P, 40A, B, 10KA	50-052-208	MCB 1P, 40A, C, 10KA
50	230/400	50-052-009	MCB 1P, 50A, B, 10KA	50-052-209	MCB 1P, 50A, C, 10KA
63	230/400	50-052-010	MCB 1P, 63A, B, 10KA	50-052-210	MCB 1P, 63A, C, 10KA



1 - pole + N

Rated Current [A]	Rated Voltage [V]	Item Code	Description	Item Code	Description
6	230/400	50-052-021	MCB 1P+N, 6A, B, 10KA	50-052-221	MCB 1P+N, 6A, C, 10KA
10	230/400	50-052-022	MCB 1P+N, 10A, B, 10KA	50-052-222	MCB 1P+N, 10A, C, 10KA
13	230/400	50-052-023	MCB 1P+N, 13A, B, 10KA	50-052-223	MCB 1P+N, 13A, C, 10KA
16	230/400	50-052-024	MCB 1P+N, 16A, B, 10KA	50-052-224	MCB 1P+N, 16A, C, 10KA
20	230/400	50-052-025	MCB 1P+N, 20A, B, 10KA	50-052-225	MCB 1P+N, 20A, C, 10KA
25	230/400	50-052-026	MCB 1P+N, 25A, B, 10KA	50-052-226	MCB 1P+N, 25A, C, 10KA
32	230/400	50-052-027	MCB 1P+N, 32A, B, 10KA	50-052-227	MCB 1P+N, 32A, C, 10KA
40	230/400	50-052-028	MCB 1P+N, 40A, B, 10KA	50-052-228	MCB 1P+N, 40A, C, 10KA
50	230/400	50-052-029	MCB 1P+N, 50A, B, 10KA	50-052-229	MCB 1P+N, 50A, C, 10KA
63	230/400	50-052-030	MCB 1P+N, 63A, B, 10KA	50-052-230	MCB 1P+N, 63A, C, 10KA





2 - pole					
Rated Current [A]	Rated Voltage [V]	Item Code	Description	Item Code	Description
6	400	50-052-041	MCB 2P, 6A, B, 10KA	50-052-241	MCB 2P, 6A, C, 10KA
10	400	50-052-042	MCB 2P, 10A, B, 10KA	50-052-242	MCB 2P, 10A, C, 10KA
13	400	50-052-043	MCB 2P, 13A, B, 10KA	50-052-243	MCB 2P, 13A, C, 10KA
16	400	50-052-044	MCB 2P, 16A, B, 10KA	50-052-244	MCB 2P, 16A, C, 10KA
20	400	50-052-045	MCB 2P, 20A, B, 10KA	50-052-245	MCB 2P, 20A, C, 10KA
25	400	50-052-046	MCB 2P, 25A, B, 10KA	50-052-246	MCB 2P, 25A, C, 10KA
32	400	50-052-047	MCB 2P, 32A, B, 10KA	50-052-247	MCB 2P, 32A, C, 10KA
40	400	50-052-048	MCB 2P, 40A, B, 10KA	50-052-248	MCB 2P, 40A, C, 10KA
50	400	50-052-049	MCB 2P, 50A, B, 10KA	50-052-249	MCB 2P, 50A, C, 10KA
63	400	50-052-050	MCB 2P, 63A, B, 10KA	50-052-250	MCB 2P, 63A, C, 10KA



3 - pole					
Rated Current [A]	Rated Voltage [V]	Item Code	Description	Item Code	Description
6	400	50-052-071	MCB 3P, 6A, B, 10KA	50-052-271	MCB 3P, 6A, C, 10KA
10	400	50-052-072	MCB 3P, 10A, B, 10KA	50-052-272	MCB 3P, 10A, C, 10KA
13	400	50-052-073	MCB 3P, 13A, B, 10KA	50-052-273	MCB 3P, 13A, C, 10KA
16	400	50-052-074	MCB 3P, 16A, B, 10KA	50-052-274	MCB 3P, 16A, C, 10KA
20	400	50-052-075	MCB 3P, 20A, B, 10KA	50-052-275	MCB 3P, 20A, C, 10KA
25	400	50-052-076	MCB 3P, 25A, B, 10KA	50-052-276	MCB 3P, 25A, C, 10KA
32	400	50-052-077	MCB 3P, 32A, B, 10KA	50-052-277	MCB 3P, 32A, C, 10KA
40	400	50-052-078	MCB 3P, 40A, B, 10KA	50-052-278	MCB 3P, 40A, C, 10KA
50	400	50-052-079	MCB 3P, 50A, B, 10KA	50-052-279	MCB 3P, 50A, C, 10KA
63	400	50-052-080	MCB 3P, 63A, B, 10KA	50-052-280	MCB 3P, 63A, C, 10KA



3 - pole + N					
Rated Current [A]	Rated Voltage [V]	Item Code	Description	Item Code	Description
6	400	50-052-091	MCB 3P+N, 6A, B, 10KA	50-052-291	MCB 3P+N, 6A, C, 10KA
10	400	50-052-092	MCB 3P+N, 10A, B, 10KA	50-052-292	MCB 3P+N, 10A, C, 10KA
13	400	50-052-093	MCB 3P+N, 13A, B, 10KA	50-052-293	MCB 3P+N, 13A, C, 10KA
16	400	50-052-094	MCB 3P+N, 16A, B, 10KA	50-052-294	MCB 3P+N, 16A, C, 10KA
20	400	50-052-095	MCB 3P+N, 20A, B, 10KA	50-052-295	MCB 3P+N, 20A, C, 10KA
25	400	50-052-096	MCB 3P+N, 25A, B, 10KA	50-052-296	MCB 3P+N, 25A, C, 10KA
32	400	50-052-097	MCB 3P+N, 32A, B, 10KA	50-052-297	MCB 3P+N, 32A, C, 10KA
40	400	50-052-098	MCB 3P+N, 40A, B, 10KA	50-052-298	MCB 3P+N, 40A, C, 10KA
50	400	50-052-099	MCB 3P+N, 50A, B, 10KA	50-052-299	MCB 3P+N, 50A, C, 10KA
63	400	50-052-100	MCB 3P+N, 63A, B, 10KA	50-052-300	MCB 3P+N, 63A, C, 10KA



Safe and Reliable RCCB - DJR

- Product Performance
- Product Quality & Reliability
- Power Control

5 YEARS WARRANTY



MADE IN SLOVENIA



Rated Residual Current
0.03 - 0.5 A

Rated Current
16 - 80 A

Type
A, AC

DJR2 RCCB - Type A & Type AC

RCCB 2 Pole

Rated Current [A]	Rated Residual Current [mA]	Item Code	Description	Item Code	Description
16	30	50-052-401	RCCB 16A 2P 30mA, Type A	50-052-601	RCCB 16A 2P 30mA, Type AC
25	30	50-052-402	RCCB 25A 2P 30mA, Type A	50-052-602	RCCB 25A 2P 30mA, Type AC
40	30	50-052-403	RCCB 40A 2P 30mA, Type A	50-052-603	RCCB 40A 2P 30mA, Type AC
63	30	50-052-404	RCCB 63A 2P 30mA, Type A	50-052-604	RCCB 63A 2P 30mA, Type AC
80	30	50-052-405	RCCB 80A 2P 30mA, Type A	50-052-605	RCCB 80A 2P 30mA, Type AC
100	30	50-052-406	RCCB 100A 2P 30mA, Type A	50-052-606	RCCB 100A 2P 30mA, Type AC
16	100	50-052-411	RCCB 16A 2P 100mA, Type A	50-052-611	RCCB 16A 2P 100mA, Type AC
25	100	50-052-412	RCCB 25A 2P 100mA, Type A	50-052-612	RCCB 25A 2P 100mA, Type AC
40	100	50-052-413	RCCB 40A 2P 100mA, Type A	50-052-613	RCCB 40A 2P 100mA, Type AC
63	100	50-052-414	RCCB 63A 2P 100mA, Type A	50-052-614	RCCB 63A 2P 100mA, Type AC
80	100	50-052-415	RCCB 80A 2P 100mA, Type A	50-052-615	RCCB 80A 2P 100mA, Type AC
100	100	50-052-416	RCCB 100A 2P 100mA, Type A	50-052-616	RCCB 100A 2P 100mA, Type AC
16	300	50-052-431	RCCB 16A 2P 300mA, Type A	50-052-631	RCCB 16A 2P 300mA, Type AC
25	300	50-052-432	RCCB 25A 2P 300mA, Type A	50-052-632	RCCB 25A 2P 300mA, Type AC
40	300	50-052-433	RCCB 40A 2P 300mA, Type A	50-052-633	RCCB 40A 2P 300mA, Type AC
63	300	50-052-434	RCCB 63A 2P 300mA, Type A	50-052-634	RCCB 63A 2P 300mA, Type AC
80	300	50-052-435	RCCB 80A 2P 300mA, Type A	50-052-635	RCCB 80A 2P 300mA, Type AC
100	300	50-052-436	RCCB 100A 2P 300mA, Type A	50-052-636	RCCB 100A 2P 300mA, Type AC
16	500	50-052-451	RCCB 16A 2P 500mA, Type A	50-052-651	RCCB 16A 2P 500mA, Type AC
25	500	50-052-452	RCCB 25A 2P 500mA, Type A	50-052-652	RCCB 25A 2P 500mA, Type AC
40	500	50-052-453	RCCB 40A 2P 500mA, Type A	50-052-653	RCCB 40A 2P 500mA, Type AC
63	500	50-052-454	RCCB 63A 2P 500mA, Type A	50-052-654	RCCB 63A 2P 500mA, Type AC
80	500	50-052-455	RCCB 80A 2P 500mA, Type A	50-052-655	RCCB 80A 2P 500mA, Type AC



Rated Residual Current
0.03 - 0.5 A

Rated Current
16 - 80 A

Type
A, AC

DJR4 RCCB - Type A & Type AC

RCCB 4 Pole

Rated Current [A]	Rated Residual Current [mA]	Item Code	Description	Item Code	Description
16	30	50-052-501	RCCB 16A 4P 30mA, Type A	50-052-701	RCCB 16A 4P 30mA, Type AC
25	30	50-052-502	RCCB 25A 4P 30mA, Type A	50-052-702	RCCB 25A 4P 30mA, Type AC
40	30	50-052-503	RCCB 40A 4P 30mA, Type A	50-052-703	RCCB 40A 4P 30mA, Type AC
63	30	50-052-504	RCCB 63A 4P 30mA, Type A	50-052-704	RCCB 63A 4P 30mA, Type AC
80	30	50-052-505	RCCB 80A 4P 30mA, Type A	50-052-705	RCCB 80A 4P 30mA, Type AC
100	30	50-052-506	RCCB 100A 4P 30mA, Type A	50-052-706	RCCB 100A 4P 30mA, Type AC
16	100	50-052-511	RCCB 16A 4P 100mA, Type A	50-052-711	RCCB 16A 4P 100mA, Type AC
25	100	50-052-512	RCCB 25A 4P 100mA, Type A	50-052-712	RCCB 25A 4P 100mA, Type AC
40	100	50-052-513	RCCB 40A 4P 100mA, Type A	50-052-713	RCCB 40A 4P 100mA, Type AC
63	100	50-052-514	RCCB 63A 4P 100mA, Type A	50-052-714	RCCB 63A 4P 100mA, Type AC
80	100	50-052-515	RCCB 80A 4P 100mA, Type A	50-052-715	RCCB 80A 4P 100mA, Type AC
100	100	50-052-516	RCCB 100A 4P 100mA, Type A	50-052-716	RCCB 100A 4P 100mA, Type AC
16	300	50-052-531	RCCB 16A 4P 300mA, Type A	50-052-731	RCCB 16A 4P 300mA, Type AC
25	300	50-052-532	RCCB 25A 4P 300mA, Type A	50-052-732	RCCB 25A 4P 300mA, Type AC
40	300	50-052-533	RCCB 40A 4P 300mA, Type A	50-052-733	RCCB 40A 4P 300mA, Type AC
63	300	50-052-534	RCCB 63A 4P 300mA, Type A	50-052-734	RCCB 63A 4P 300mA, Type AC
80	300	50-052-535	RCCB 80A 4P 300mA, Type A	50-052-735	RCCB 80A 4P 300mA, Type AC
100	300	50-052-536	RCCB 100A 4P 300mA, Type A	50-052-736	RCCB 100A 4P 300mA, Type AC
16	500	50-052-551	RCCB 16A 4P 500mA, Type A	50-052-751	RCCB 16A 4P 500mA, Type AC
25	500	50-052-552	RCCB 25A 4P 500mA, Type A	50-052-752	RCCB 25A 4P 500mA, Type AC
40	500	50-052-553	RCCB 40A 4P 500mA, Type A	50-052-753	RCCB 40A 4P 500mA, Type AC
63	500	50-052-554	RCCB 63A 4P 500mA, Type A	50-052-754	RCCB 63A 4P 500mA, Type AC
80	500	50-052-555	RCCB 80A 4P 500mA, Type A	50-052-755	RCCB 80A 4P 500mA, Type AC



ISOLATOR - DJI

- Product Performance
- Product Quality & Reliability
- Power Control

5 YEARS WARRANTY





1 - Pole

Rated Current [A]	Rated Voltage [V]	Item Code	Description
16	230/400	50-052-811	ISOLATOR 1P, 16A
25	230/400	50-052-812	ISOLATOR 1P, 25A
32	230/400	50-052-813	ISOLATOR 1P, 32A
40	230/400	50-052-814	ISOLATOR 1P, 40A
63	230/400	50-052-815	ISOLATOR 1P, 63A
80	230/400	50-052-816	ISOLATOR 1P, 80A
100	230/400	50-052-817	ISOLATOR 1P, 100A
125	230/400	50-052-818	ISOLATOR 1P, 125A



2 - Pole

Rated Current [A]	Rated Voltage [V]	Item Code	Description
16	400	50-052-821	ISOLATOR 2P, 16A
25	400	50-052-822	ISOLATOR 2P, 25A
32	400	50-052-823	ISOLATOR 2P, 32A
40	400	50-052-824	ISOLATOR 2P, 40A
63	400	50-052-825	ISOLATOR 2P, 63A
80	400	50-052-826	ISOLATOR 2P, 80A
100	400	50-052-827	ISOLATOR 2P, 100A
125	400	50-052-828	ISOLATOR 2P, 125A



3 - Pole

Rated Current [A]	Rated Voltage [V]	Item Code	Description
16	400	50-052-831	ISOLATOR 3P, 16A
25	400	50-052-832	ISOLATOR 3P, 25A
32	400	50-052-833	ISOLATOR 3P, 32A
40	400	50-052-834	ISOLATOR 3P, 40A
63	400	50-052-835	ISOLATOR 3P, 63A
80	400	50-052-836	ISOLATOR 3P, 80A
100	400	50-052-837	ISOLATOR 3P, 100A
125	400	50-052-838	ISOLATOR 3P, 125A



4 - Pole

Rated Current [A]	Rated Voltage [V]	Item Code	Description
16	400	50-052-841	ISOLATOR 4P, 16A
25	400	50-052-842	ISOLATOR 4P, 25A
32	400	50-052-843	ISOLATOR 4P, 32A
40	400	50-052-844	ISOLATOR 4P, 40A
63	400	50-052-845	ISOLATOR 4P, 63A
80	400	50-052-846	ISOLATOR 4P, 80A
100	400	50-052-847	ISOLATOR 4P, 100A
125	400	50-052-848	ISOLATOR 4P, 125A



MCCB - DGM

- Advanced Breaking Performance
- Higher Safety
- Adjustable Ratings
- World class quality

5 YEARS WARRANTY

MADE IN KOREA



DGM 125 S

Rated Current [A]	Rated Voltage [V]	Item Code	Description
25	230/400	50-053-010	MCCB 25A, 3P, DGM125S
32	230/400	50-053-015	MCCB 32A, 3P, DGM125S
40	230/400	50-053-020	MCCB 40A, 3P, DGM125S
50	230/400	50-053-025	MCCB 50A, 3P, DGM125S
63	230/400	50-053-030	MCCB 63A, 3P, DGM125S
80	230/400	50-053-035	MCCB 80A, 3P, DGM125S
100	230/400	50-053-040	MCCB 100A, 3P, DGM125S
125	230/400	50-053-045	MCCB 125A, 3P, DGM125S

DGM 250 S

160	230/400	50-053-050	MCCB 160A, 3P, DGM250S
200	230/400	50-053-055	MCCB 200A, 3P, DGM250S
250	230/400	50-053-060	MCCB 250A, 3P, DGM250S

DGM 400 S, 630 S, 800s

300	230/400	50-053-065	MCCB 300A, 3P, DGM400S
400	230/400	50-053-070	MCCB 400A, 3P, DGM400S
630	230/400	50-053-075	MCCB 630A, 3P, DGM630S
800	230/400	50-053-080	MCCB 800A, 3P, DGM800S



DGP

Rated Current [A]	Rated Voltage [V]	Item Code	Description
200	230/400	50-053-155	MCCB 200A, 3P, DGP250F
250	230/400	50-053-160	MCCB 250A, 3P, DGP250F
300	230/400	50-053-165	MCCB 300A, 3P, DGP400F
400	230/400	50-053-170	MCCB 400A, 3P, DGP400F
500	230/400	50-053-172	MCCB 500A, 3P, DGP630F
630	230/400	50-053-175	MCCB 630A, 3P, DGP630F
800	230/400	50-053-180	MCCB 800A, 3P, DGP800F

SHUNT TRIP

Rated Current [A]	Rated Voltage [V]	Item Code	Description
200	230/400	50-053-200	SHUNT TRIP,HGM100AF
250	230/400	50-053-205	SHUNT TRIP,HGM100AF



Draw Box



SPN DB



MSB Switchboard with Meter & Lamps



Switchfuse



Starter Panel



Enclosure with Rain Canopies



AVA Box



TPN DB



DB with Meter



DB with Digital Volt - Ammeter



MSB with Rain Canopies



Service Cabinets



Switchboard

Certificate

Standard **ISO 9001:2015**
 Certificate Registr. No. **01 100 1822609/01**

Certificate Holder: **Dakheel Al Jassar Electrical Industries**
 Shaban, Block 3, Street 101,
 Plot 107, 13002 - Safat,
 Kuwait.

Scope: **Manufacture of Low Voltage Panels
 Trading of Lighting accessories, Electrical and Electronic
 Components**

Proof has been furnished by means of an audit that the requirements of ISO 9001:2015 are met.

Validity: **The certificate is valid in conjunction with the main certificate from 2019-03-15 until 2022-03-14.**

2019-03-18

TÜV Rheinland Cert GmbH
 Am Grauen Stein 51155 Köln

www.tuv.com **TÜV Rheinland®**
 Precisely Right.

Ref. Certif. No.
NL-57800

SYSTEM FOR MUTUAL RECOGNITION OF TEST CERTIFICATES FOR ELECTRICAL EQUIPMENT CB SCHEME

TEST CERTIFICATE

Product: Molded-Circuit Breaker

Address of the applicant: Dakheel Aljassar Electrical Industries Co. W.I
 P.O Box 145, Safat
 Kuwait

Address of the manufacturer: Electric & Energy System Co., Ltd
 78, Yulgok-ro, Jongno-gu, Seoul
 Korea, Republic of

Address of the factory: Additional information on page 2
 Electric & Energy System Co., Ltd
 788, Bangsang-ro, Incheon, Ganghwa, Ulsan
 Korea, Republic of

Principal characteristics: UIC 300 / 415 / 440 / 480 Vac, UI: 1000 Vac, Uimp: 8 kV,
 In: 250 A, 300 A, 350 A, 400 A, 50 / 60 Hz
 2P, 3P and 4P (unprotected N pole)
 Icu
 40 kA at 300 / 415 Vac, 38 kA at 440 / 480 Vac for E series
 65 kA at 300 / 415 Vac, 50 kA at 440 / 480 Vac for S series
 65 kA at 300 / 415 Vac, 70 kA at 440 / 480 Vac for H series
 65 kA at 300 / 415 / 480 / 480 Vac for L series
 Ics = 100% Icu
 I see areas for further ratings

Test Report Ref. No. which refers to this Certificate: 33156553, 3312791.60 and 3306417.50

Test Certificate is issued by the National Certification Body:

DEKRA Certification B.V.
 1051, N-4825 MJ Arnhem, Netherlands
 Signature: H.L. Schenckink

page 1 of 2

CERTIFICATE

Issued to:
 Applicant:
 Dakheel Aljassar Electrical Industries c.o.w.II
 Sabhan Industrial Area, Area-3, Block 117,
 P.O Box 145,
 13002 Safat, Kuwait

Product: circuit-breaker for overcurrent protection
Trade name(s): dajco
Type(s)/model(s): DJM10K

The product and any acceptable variation thereto is specified in the Annex to this certificate and the documents therein referred to.

DEKRA hereby declares that the above-mentioned product has been certified on the basis of:
 - a type test according to the standard EN 60898-1:2003, EN 60898-1:2003/A1:2004,
 EN 60898-1:2003/A11:2005, EN 60898-1:2003/A12:2008 and EN 60898-1:2003/A12:2012
 - an inspection of the production location according to CENELEC Operational Document ClG 021
 - a certification agreement with the number 963600
 - the licensee is registered with the number 2519333

DEKRA hereby grants the right to use the KEMA-KEUR certification mark.

The KEMA-KEUR certification mark may be applied to the product as specified in this certificate for the duration of the KEMA-KEUR certification agreement and under the conditions of the KEMA-KEUR certification agreement.

This certificate is issued on 7 January 2019 and expires upon withdrawal of one of the above mentioned standards.

Certificate number: 71-106731

DEKRA Certification B.V.

 B.T.M. Hollus
 Managing Director

D Huang
 Certification Manager

© Integral publication of this certificate is allowed

ACCREDITED BY THE DUTCH ACCREDITATION COUNCIL

DEKRA Certification B.V. Meander 1051, 6825 MJ Arnhem P.O. Box 5185, 6802 ED Arnhem, The Netherlands
 T +31 86 86 83000 F +31 86 96 83100 www.dekra-certification.com Company registration 0905396

CERTIFICATE

Issued to:
 Applicant:
 Dakheel Aljassar Electrical Industries c.o.w.II
 Sabhan Industrial Area, Area-3, Block 117,
 P.O Box 145,
 13002 Safat, Kuwait

Product: residual current operated circuit-breakers (RCCB)
Trade name(s): dajco
Type(s)/model(s): DJR2 and DJR4

The product and any acceptable variation thereto is specified in the Annex to this certificate and the documents therein referred to.

DEKRA hereby declares that the above-mentioned product has been certified on the basis of:
 - a type test according to the standard EN 61008-1:2012, EN 61008-1:2012/A1:2014,
 EN 61008-1:2012/A2:2014, EN 61008-1:2012/A11:2015, EN 61008-2-1:1994 and
 EN 61008-2-1:1994/A11:1999
 - an inspection of the production location according to CENELEC Operational Document ClG 021
 - a certification agreement with the number 963600
 - the licensee is registered with the number 2519333

DEKRA hereby grants the right to use the KEMA-KEUR certification mark.

The KEMA-KEUR certification mark may be applied to the product as specified in this certificate for the duration of the KEMA-KEUR certification agreement and under the conditions of the KEMA-KEUR certification agreement.

This certificate is issued on 6 January 2019 and expires upon withdrawal of one of the above mentioned standards.

Certificate number: 71-106873

DEKRA Certification B.V.

 B.T.M. Hollus
 Managing Director

R Zhou
 Certification Manager

© Integral publication of this certificate is allowed

ACCREDITED BY THE DUTCH ACCREDITATION COUNCIL

DEKRA Certification B.V. Meander 1051, 6825 MJ Arnhem P.O. Box 5185, 6802 ED Arnhem, The Netherlands
 T +31 86 86 83000 F +31 86 96 83100 www.dekra-certification.com Company registration 0905396

dajco



Dakheel Aljassar Electrical Industries Co.

Subhan Industrial Area, Block 4
P.O. Box 145, Safat 13002 - Kuwait
Email : info@aljassar.com



Scan QRcode
for online catalog

 1844888   96786786  aljassar.com     [DakheelAljassar](https://www.linkedin.com/company/dakheelaljassar)

The product specifications & images in this catalog is subject to change without notice.
Dakheel Aljassar Co. assumes no responsibility for any errors that may appear in this document.